

BEST

PURIFICATION

equipment manufacturers

广州博丰机电设备有限公司

Guangzhou Pofin Electro-Mechanical Equipment Co.,Ltd

Website: www.pofin.cn

Address: Room 501, Building 3, Hongji Garden, No.489 Shiqiao East RingRoad, Panyu District, Guangzhou City, Guangdong Province, China

Mobile: +86 177 0209 5045

WhatsApp/WeChat: +86 17702095045

E-mail: Frank.lee7612@gmail.com
zhaolinli2008@163.com

风淋室说明书
Airshower Instructio

目录 CONTENTS

使用环境和条件	01-02
安装流程	03-04
产品结构图	05-06
线路板接线图	07-08
产品操作与使用说明	09-16
公司同类产品推荐	17-18
公司其它产品推荐	19-20
公司更多产品推荐	21-24
设备保修卡	25-26
保证书	27-28
知名合作伙伴	29-31

Environment and conditions	01-02
Installation Process	03-04
Product Structure	05-06
Airshower circuit board wiring diagram	07-08
Product operation and usage instructions	09-16
Similar products Recommended	17-18
Other Recommendations	19-20
More Recommendations	21-24
Equipment warranty card	25-26
Guarantee	27-28
Well-known partners	29-31



1.使用环境和条件

- ◎ 温度：-5~45℃
- ◎ 相对温度：不大于85% (+35℃)
- ◎ 大气压力：86Kp~106Kp
- ◎ 最大尘埃浓度L3500粒/升（尘埃粒径不大于0.5um）
- ◎ 电源：380v 50Hz

2.安全事项

- ◎ 请不要置于高手这尘源和震源处
- ◎ 请不要用有腐蚀性溶剂等擦拭箱体，以免伤及漆层影响外观
- ◎ 禁止用于下列场所：低温、高温、多湿、结露、多尘以及有油烟、雾气的地方
- ◎ 确保维修空间以便于风机、过滤器的更换以及电器元件和线路的维修
- ◎ 先将产品就位后再接线、接电源插头作业、以免造成人身伤害
- ◎ 本产品不具防爆能力、请不要在易燃易爆环境下使用，禁止在一分钟内反复操作电源开关，以免因频繁操作导致损坏电器元件
- ◎ 检修时应先切断电源、以免发生触电或风机突然启动导致的安全事故
- ◎ 严禁自行改装，因自行改装导致的一切后果，本公司不承担任何责任且不提供免费保修服务

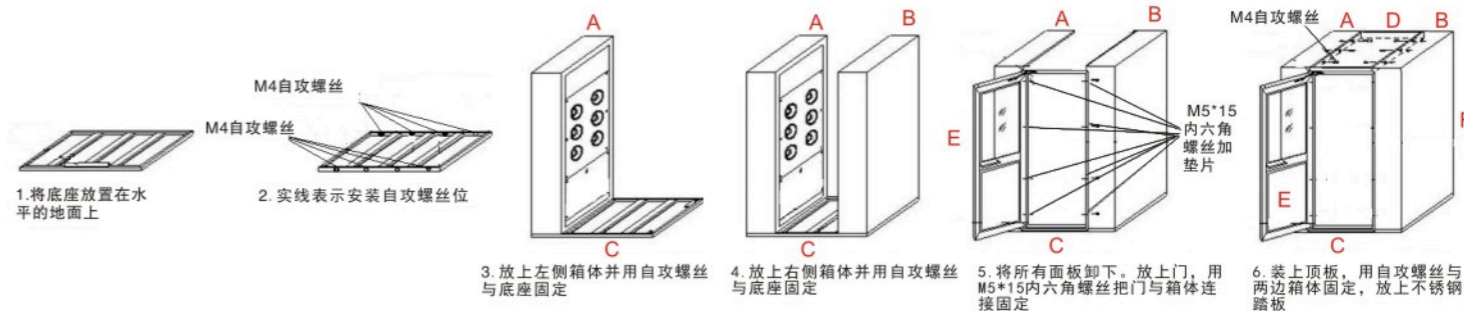
1. The use of the environment and conditions

- Temperature: -5 ~ 45 °C
- Relative humidity: not more than 85% (+ 35 °C)
- Atmospheric pressure: 86 Kp ~ 106 Kp
- L3500 largest concentration of dust particles / liter (dust particle size not greater than 0.5um)
- Power: 380v 50Hz

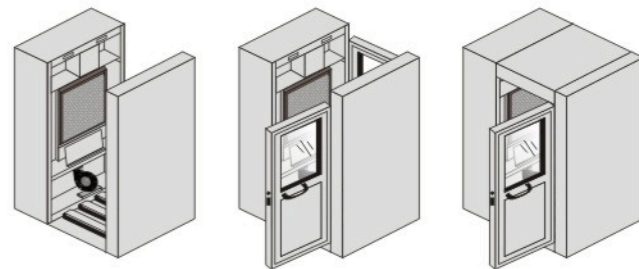
2.Safety Precautions

- Please do not put this master source and dust at the source
- Please do not have a corrosive solvent wipe box, to avoid harming the paint affect the appearance
- Prohibition for the following areas: low temperature, high temperature, humidity, condensation, dust and soot, mist place
- To ensure maintenance of space for fans, filter replacement and repair of electrical components and circuits
- The first product in place after the wiring, connect the power plug operations to avoid personal injury
- This product does not have the ability to explosion, do not use in an explosive environment is prohibited within a minute repeatedly operate the power switch, so as not to cause damage due to frequent operation of the electrical components
- Maintenance should first cut off the power supply to avoid electric shock or sudden start blower accidents caused
- It is forbidden to make alterations, because all the consequences of their own modification, the Company does not assume any responsibility and does not provide free warranty service

安装流程:



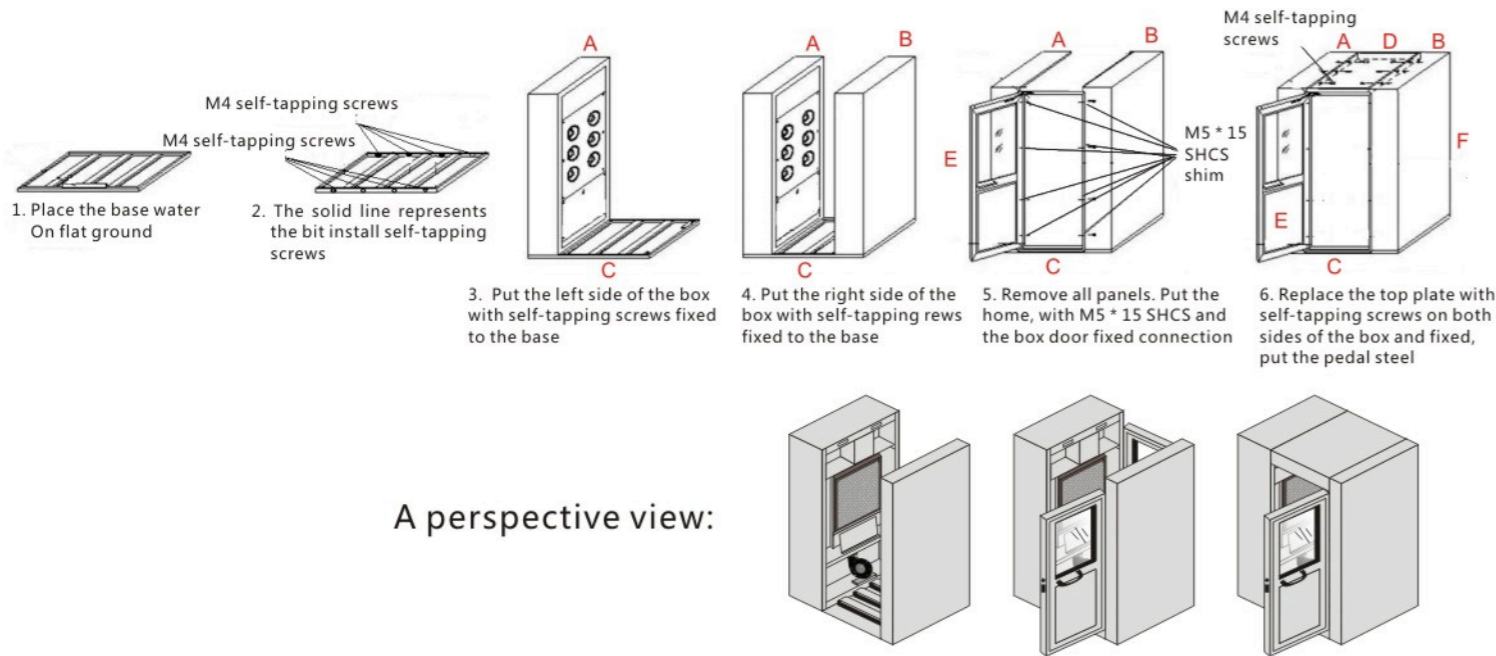
立体图:



假设, 小箱体为A, 大箱体为B, 地板为C, 顶板为D, 门为E跟F。

1. 先Abc链接固定, 再把E、F跟Ab链接固定 (注意 带门铰的那边跟A固定)。
2. 然后把D跟AB固定。【门分进门跟出门 (根据场地分配)】。

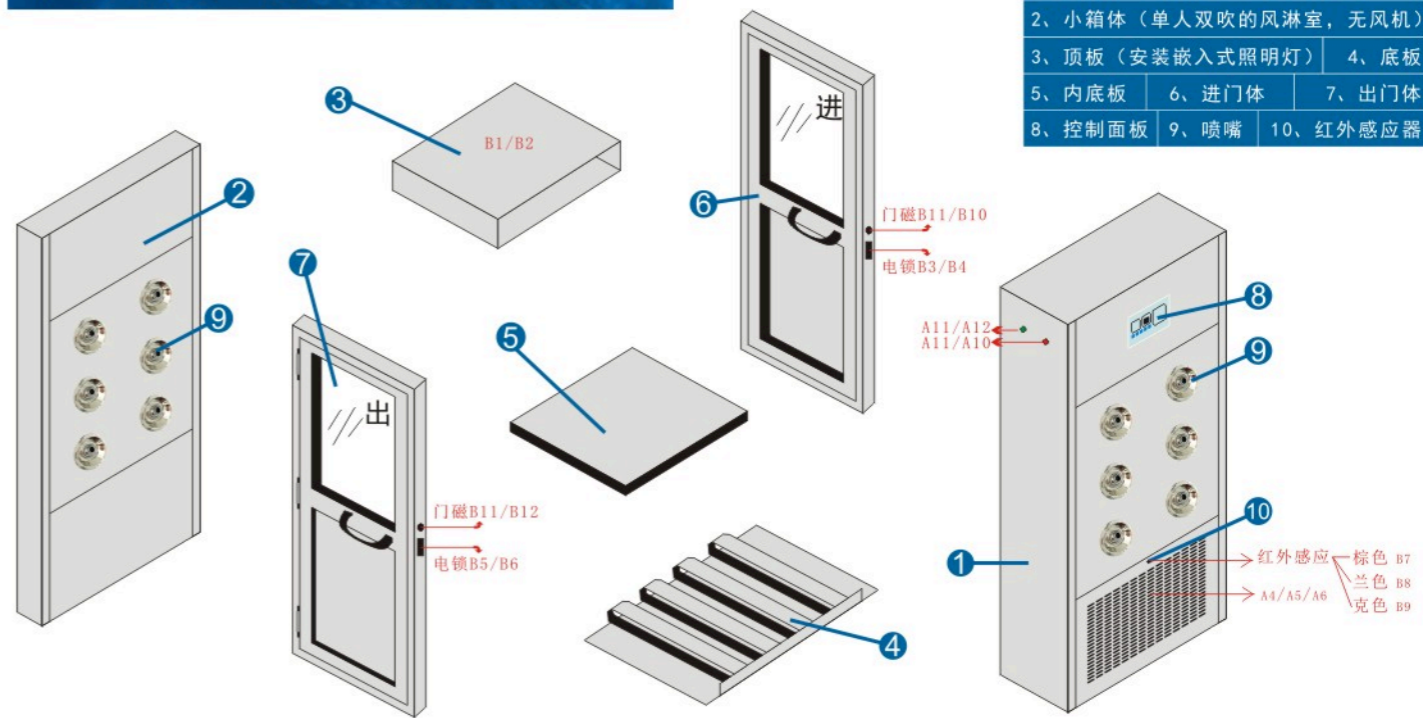
Installation Process



Suppose, a small box for A, big box is B, the floor is C, the top plate is D, E for the door with F.

1, the first fixed link abc, then E, F with Ab fixed link (note the side with hinges fixed with A).
2, then D with AB fixed. [Sub-door with the door to go out (based on space allocation)].

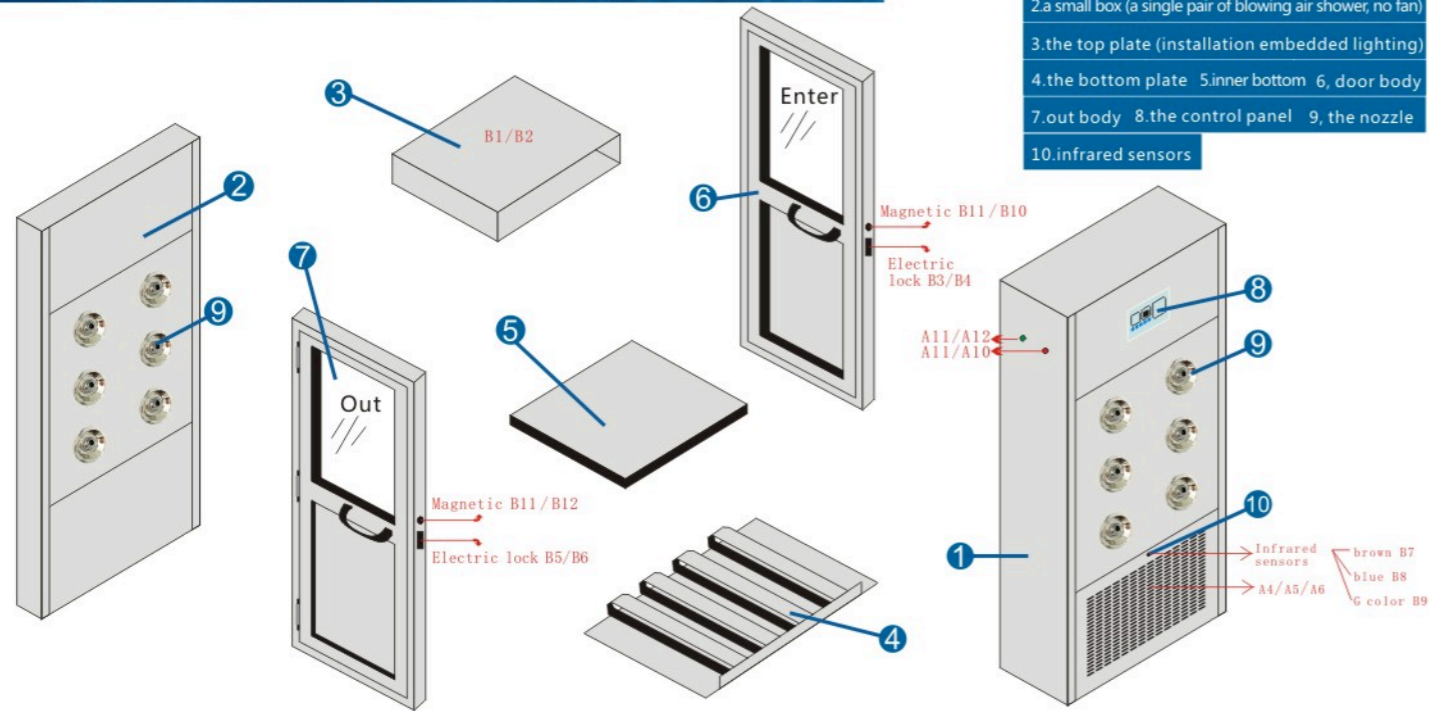
产品结构图：（图片参考，以实物为准！）



接线方式：

- 1、B11、B12接 → 出门门磁（如上图所示：B11、B12）。6、B1、B2、接 → 照明灯。
- 2、B11、B10接 → 进门门磁（如上图所示：B11、B10）。7、A11、A12接 → 工作指示灯（绿灯）。
- 3、B9、B8、B7接 → 红外线感应器。
- 4、B5、B6、接 → 出门电锁。
- 5、B3、B4、接 → 出门电锁。
- 8、A10、A11接 → 电源指示灯（红灯）。
- 9、A6、A7、A8接 → 风淋室风机。

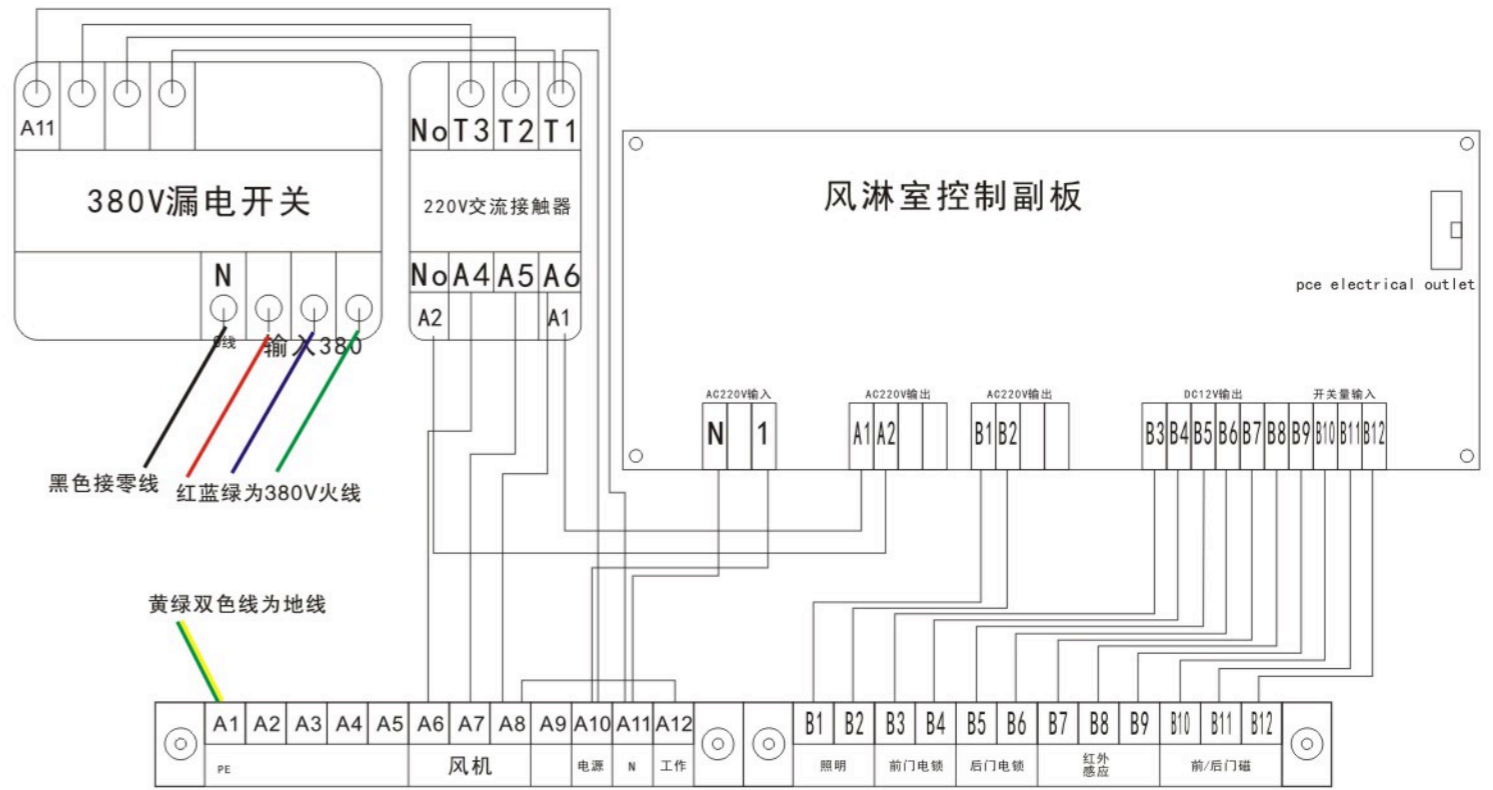
Product Structure : (image reference, to prevail in kind!)



- 1.large box (fan, filter installation included)
- 2.a small box (a single pair of blowing air shower, no fan)
- 3.the top plate (installation embedded lighting)
- 4.the bottom plate 5.inner bottom 6, door body
- 7.out body 8.the control panel 9, the nozzle
- 10.infrared sensors

Connection :
 1、 B11、 B12 meet → Out door sensor (shown above: B11, B12).
 2、 B11、 B10 meet → Magnetic door (As shown above: B11, B10).
 3、 B9、 B8、 B7 meet → Infrared sensors.
 4、 B5、 B6、 meet → Power locks out.
 5、 B3、 B4、 meet → Power locks out.
 6、 B1、 B2、 meet → flashlight.
 7、 A11、 A12 meet → Working indicator (green).
 8、 A10、 A11 meet → Working indicator (red).
 9、 A6、 A7、 A8 meet → Wind leaching room fan.

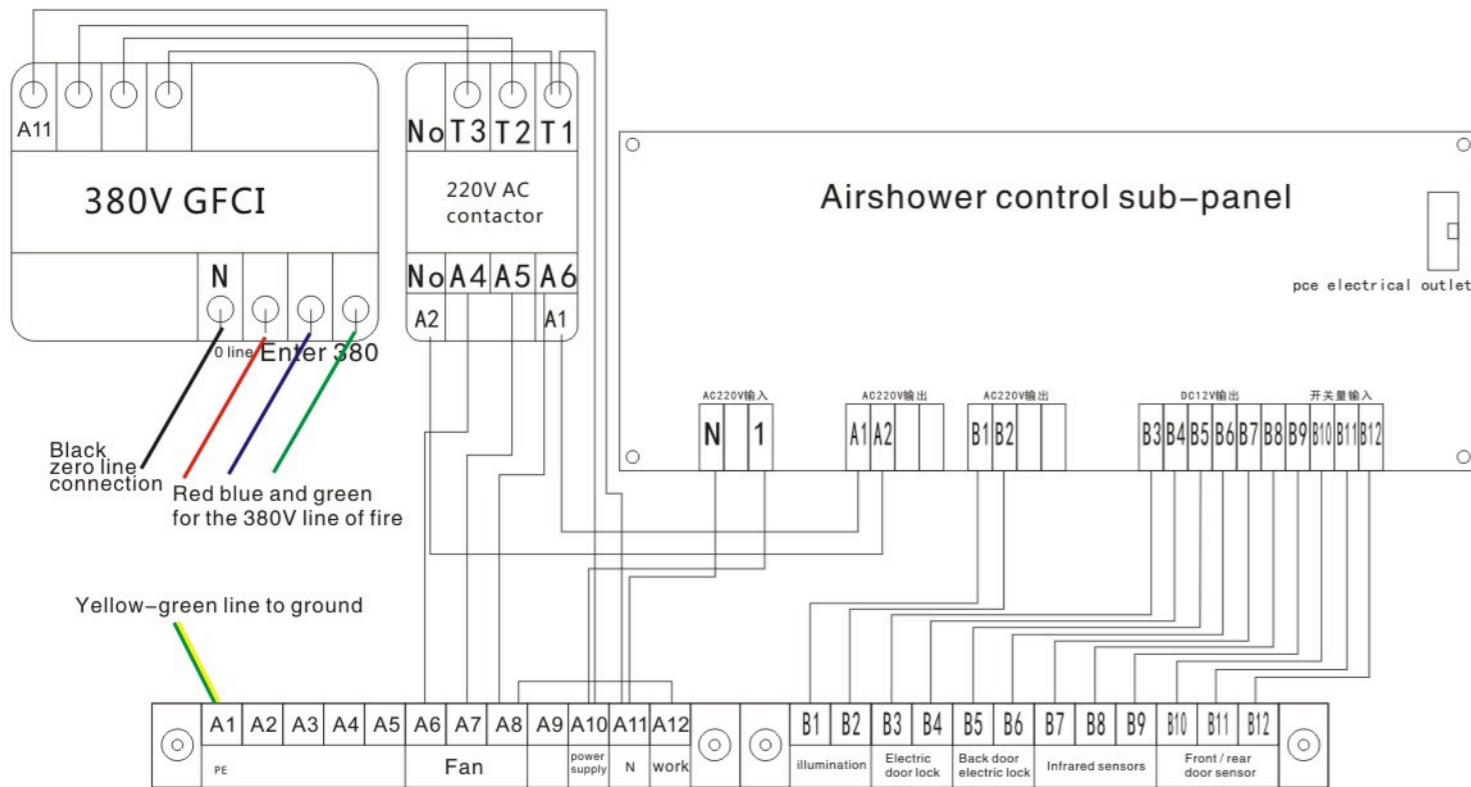
风淋室线路板接线图 :



黑色接零线 红蓝绿为380V火线
 黄绿双色线为地线

【温馨提示：如果380V电机出现反转现象或者风量弱小，请调换任意两根火线的位置即可。】

Airshower circuit board wiring diagram:



【 Tips: If 380V motor reversal phenomenon or small amount of wind, please swap any two FireWire location.】

产品操作与使用说明

一、风淋室控制面板示意图



急停按键: 任何时候按下急停按键、红色急停指示灯亮, 并自动断开除照明外的所有输出, 再次按下时, 系统恢复到初始状态, 此按键主要用于内外门不能解锁, 风淋室不能自动关闭及其它需维护时。

风淋按键: 在内外门关闭后, 按下手动按键, 系统即转入风淋过程, 此按键主要用于门磁, 红外失灵或风机维护检修时。

照明按键: 使用“照明”按键, 可开关风淋室内照灯, 此按键主要用于失磁失灵或灯具检修时。

上、下调按键: 在风淋开始前或结束后, 通过上、下调键调节风淋延时时间, 在进入内部参数设置是进行调节或选项。

二、风淋室指示灯与数码管显示说明

风淋倒计时显示: 双位红色数码管显示, 工作时用于显示风淋时间及风淋剩余时间, 进行设定菜单时, 用于菜单参数显示。

外门灯: 当外门打开时, 此灯亮 (可以检查外门磁是否正常)。

感应灯: 当人体进入感应区时, 此灯亮 (可以检查光电开关是否正常)。

内门灯: 当内门打开时, 此灯亮 (可以检查内门磁是否正常)。

风淋灯: 此灯亮时, 指示风淋风机已被自动或手动启动。

急停灯: 此灯亮时, 指示系统处于急停状态。

照明灯: 此灯亮时, 指示照明灯启动可再次按照明键关闭或启动, 风淋室系统默认人可能已离开, 自动返回待机状态, 照明灯点亮后, 规定时间内没有被再次触发, 则自动熄灭。

Product operation and usage instructions



First, a schematic view of the control panel Airshower

Emergency stop button: at any time by pressing the emergency stop button, a red stop lights and automatically Disconnect all outside lighting output, when pressed again, restore the system to its original state, this button is mainly used inside and outside the door can not be unlocked, Airshower not automatically shut down, and other required maintenance.

Air shower button: After the inside and outside doors closed, press the manual button, the system is transferred to the wind leaching process, this button is mainly used for door sensor, infrared or fan failure maintenance overhaul.

Lighting button: Use the "Lighting" button, you can switch air shower room lamps, this button is mainly used for magnetic failure or loss of fixtures overhaul.

On the down button: The air shower before or after the start, through the upper and lower key to adjust the air shower time delay in entering the internal parameter settings are adjusted or options.

Second, air shower room and digital LED display Description

Air Shower countdown display: double-digit red LED display, while working for displaying air shower air shower time and the remaining time set menu for menu parameter display.

Outside door light: When the outer door is opened, the lights (you can check the outer door sensor is normal).

Sensor lights: when the body enters the sensing area, the lights (you can check photoelectric switch is normal).

Inside door light: when the inner door is opened, the lights (you can check the inner door sensor is normal).

Air Shower Light: When this light is on, indicating the wind leaching fan has been activated automatically or manually.

Emergency light: When this light is on, indicating the system is in the emergency stop state.

Lighting: When this light is on, indicating lights start to the Illumination key to shut down or start again, air shower system default may have left automatically return to standby mode after the lamp is lit, the provisions are not triggered again within the time, automatically turn off.

三、风淋室工作参数设定说明：

系统设有一个外部时间参数设置:风淋时间设定,外部参数设置可直接通过上下调键进行修数。参数设置需连续按下急停键3秒则进入内部参数设置状态,此时,数码管显示sj(赛洁),急停键作为设置键使用,风淋室作为翻页键使用,上下调节键则可调节设置参数,如按风淋键,数码将依次循环显示I、T0、TC、TL、Td/n6个参数,对应不同的参数按上下调节键则显示该项参数对应的延时时间或功能状态,系统设有4个内部时间和2个功能参数设置,T1外门解锁延时设定、T0内门解锁延时设定、TC风淋完延时解锁设定、TL照明延时设定、TD功能设定、Tn门互换设定、完成设置后,5秒内如无操作自动存贮并退出设置状态。

四、风淋室工作参数设定操作：

风淋时间设定:按下“急停”键,直接通过上、下调节按键可以改变风淋延时时间,调节范围1-99s秒、并由双位数码管显示,调节结束5秒后,系统自动保存该参数值。

外门解锁延时设定T1:此为内部时间选项,连续按下急停键3秒,数码管显示:sj(赛洁)系统进入内部参数设定、按风淋键数码管显示:TT、再按上调或下调键可查看外门解锁延时时间、单位为秒,按上调或下调键可在0-99秒内进行内调节,按风淋键确认并进入下一选项,五秒内未有按键角发系统保存参数退出设置。

内门解锁延时设定T0:完成外门设置后,需在五秒内再次按风淋键,时入内门解锁延时设定(T0),通过上下调节键可查看并在0-99秒内调节照明延时熄灭时间,按风淋键确认并进入下一选项,五秒内未有按键角发系统保存参数退出设置。

风淋完电锁延时解锁设定TC:完成照明设置后,需在五秒内再次按风淋键,时入内门解锁延时设定(TL),通过上下调节键可查看并在0-99秒内调节照明延时熄灭时间,按风淋键确认并进入下一选项,五秒内未有按键秒系统保存参数退出设置

功能设置设定Td:设为0为普通型,即“进门—感应—吹淋—出门”过程的控制,设为1时为无感应型,即“进门—吹淋—出门”过程为控制,设为2时为无门型,即“感应—吹淋”过程的控制。

门互换功能设定Tn:门互换功能有0和1两个状态,设为0时为正常设置为1时为互锁,比如当现场安装时前、后门调错,设置为1,即可互换为正常工作。

Third, the air shower Parameter Description of work:

System features an external time parameter settings: air shower time is set, external parameter settings directly through the down key repair number. Setting the parameters continuously press the emergency stop button for 3 seconds to enter the internal parameter setting state, at this time, digital display sj (clean game), set up as a key to use the emergency stop button, Airshower used as flip key, adjust up and down keys you can adjust the setting parameters, such as by air shower key, digital will turn cycle I, tO, TC, TL, Td / n6 parameters corresponding to different parameter press the arrow keys to adjust the display parameters corresponding to the delay time or functional status, the system features four internal time and two function parameters, TI outer door unlocked delay setting, TO inner door unlock delay setting, TC air shower after unlocking delay setting, TL lighting delay set set, TD function setting, Tn gate swap is set to complete the set, if no operation within 5 seconds and automatically exits the store Home state.

Fourth, Airshower operating parameters set operation:

Air shower time setting: Press the "stop" button, directly through the upper and lower control buttons can change the air shower time delay adjustment range 1-99s seconds by double-digit LED display, adjust the end of the 5 seconds, the system automatically saves the parameter value.

Exterior doors unlock delay setting TI: This is the internal time option, continuously press the emergency stop button for 3 seconds, digital display: sj (Race Kit) into the interior of the system parameter setting, press the key air shower digital display: TT, press the up or down keys to view exterior door unlock delay time, in seconds, press the up or down button can be adjusted within 0-99 seconds, press the button to confirm air shower and go to the next option, not within five seconds there are hair horn button to save the system parameter exit.

Interior doors unlock delay setting T0: After completing The door is required within five seconds, press the key again air shower, when the inner door unlock delay setting (TO), by adjusting the up and down keys to view and 0-99 seconds adjust the lighting in the off delay time, press the button to confirm air shower and go to the next option, the No button within five seconds to save the system parameter angle hair exit.

Air Shower Ends unlock the electric lock delay setting TC: After the illumination setting, press again for an air shower key within five seconds, the time delay is set into the door unlocked (TL), by adjusting the up and down keys to view and 0- 99 seconds to adjust the lighting delay off time, press the button to confirm air shower and go to the next option, the No button within five seconds seconds to save the system parameter settings exit

Function sets a Td: set o for the ordinary type, the "door - Induction - air shower - go" control process is set to 1 for the non-inductive type, that "the door - blowing leaching - out" process control, set 2:00 type of nowhere, that "sense - air shower" control process.

Gate swap function setting Tn: Gate Swap function has two states 0 and 1, is set to 0 when the normal interlock is set to 1, such as when the pre-installation site, the back door the wrong tune, set to 1, that is, interchangeable normal work.

五、风淋工作流程:

1、打开外门，准备进入风淋室

说明：打开外门的同时，内门自动锁闭，请勿强行开启内门，以免损坏门体或电锁，与此同时，照明灯自动打开。

2、进入风淋室，吹淋过程

说明：进入风淋室，并关好外门后，语音提示“您好，请站在感应区内，当红外感应器有人通过，风机自动启动，开始吹淋，吹淋过程中内外门自动锁闭，请勿强行开启，以免损坏门体或电锁，吹淋过程中语音提示”正在工作，请转身360度，当工作人员角触摸主板上的按键开关时语音提示“正在工作，请不要随便触摸开门”，请严格按照语音提示操作。

3、吹淋完毕，出风淋室

说明：吹淋完毕后，语音提示“吹淋完毕，请从后门退出，谢谢”！此时内门电锁自动打开，内门处于可开启状态，人员开启内门，走出风淋室。

4、关闭内门，完成吹淋过程

说明：人员出风淋室后，请务必关好内门，内门如没有关好，外门将无法开启。

六、故障分析:

1、风机不启动

- ★ 检查电源插头是否插好
- ★ 检查是否按下急停开关（外箱体上的急停开关）
- ★ 确认以上两项均为正常后仍无法启动，请与本公司联系

2、风淋室不吹淋

- ★ 请检查控制面板上的急停键是否按下，如急停指示灯为红色，则不吹淋，按下急停按钮即可
- ★ 请检查前门是否处于紧闭状态，前门未关好的情况下，风淋室不吹淋
- ★ 请检查是否站立于感应区域内，重新通过感应区域即可

Five, air shower workflow:

1. Open the door, ready to enter the Air Shower

Description: Open the door at the same time, the inner door automatically locked, do not force open the inner door, to avoid damage to the door or electric lock, at the same time, lights turn on automatically.

2, into the wind leaching room, blowing leaching process

Description: enter air shower room, and closed the outer door, the voice prompt "Hello, please stand in the sensor area, when someone via infrared sensors, the fan automatically starts, began to blow shower, blow leaching process wherein the inner and outer door automatic locking, do not break open, to avoid damage to the door or electric lock, blowing leaching process, the voice prompt "is working, turn around 360 degrees, when the key staff angle touch switch on the motherboard voice prompt" is working, please do not just touch the door, "strictly follow the voice prompts.

3, blowing leaching is completed, the air shower

Note: After blowing leaching is completed, the voice prompt "blowing leaching is completed, exit from the back door, thank you!" At this point in the electric door locks automatically open the inner door can be opened in the state, turns on the inner door, out of the air shower.

4, close the inner door, blowing leaching process is complete

Description: The staff of the air shower room, be sure to shut the inner door, inner door not closed as well, outside the goalkeeper can not be opened.

Sixth, failure analysis:

1, the fan does not start

- ★ Check the power plug is plugged in
- ★ check whether press the emergency stop switch (emergency stop switch on the outside of the box
- ★ confirm the above two are still unable to start properly, please contact the company

2, the wind does not blow shower room shower

- ★ Please emergency stop button on the control panel is pressed, such as emergency stop light is red, do not blow shower, press the emergency stop button
- ★ check the front door is in the closed state, the front door is not closed under good conditions, the wind does not blow shower room shower
- ★ Please check stand in the sensing area, again through the sensing area can be

3、照明灯不亮

- ★ 请检查灯管是否损坏，如是请更换灯管
- ★ 请检查控制面板上的照明键是否按下，如照明指示灯不亮，照明灯也不亮，按下照明键即可。

4、风淋室风速低

- ★ 请查收电压是否低于风机电压。
- ★ 如风淋室已使用一段时间，请检查过滤器是否积尘过多，如有请更换过滤器（初效过滤器一般1-6个月更换，高效过滤器一般为6-12个月更换）。

过滤器更换注意事项：

- ★ 过滤器在搬运、拆箱及安装过程中请确保滤纸完整无损，禁止用手触摸滤纸
- ★ 安装前请将新的过滤器对着亮处，检查过滤器纸是否有破损，如滤纸有漏洞则不能使用。
- ★ 安装新过滤器时，注意过滤器气流箭在弦上头标志应与出风气流方向一致。
- ★ 安装好后请将压条螺栓拧紧，确保过滤器有足够的密封性。

保修须知

- 一、本设备自购买之日起计算保修期，保修期内正常使用状态下使用本设备而发生障碍可根据保修条款的内容，出示保修卡原件享受无偿服务，用户保留购货凭证及此保修证书，在维修时一起出示。
- 二、在保修期内以下情况将实行有偿维修服务：
 - ★ 不能出示有效保修卡原件或有效凭证
 - ★ 购买产品有效日期、销售单位名称（盖章有效）等项目未完全填写或涂改保修卡
 - ★ 出于未能按照使用说明书上使用方法各注意事项操作而造成的故障
 - ★ 未经厂家授权而对设备进行拆卸、修理、改装而造成的故障
 - ★ 更换的损坏零件归本公司所有
- 三、保修证书上各项须由用户直接安全填写清楚、以取得24个月保修期
- 四、请妥善保管、遗失不补

3, illumination light does not shine

- ★ Please check the lamp is damaged, please replace the lamp case
- ★ Please lighting key on the control panel is pressed, the illumination light is off, lights are not bright, press the illuminated button.

4, low wind speed Airshower

- ★ Please check whether the voltage is lower than the fan voltage.
- ★ wind leaching room has been used for some time, check that the filter is too much dust, if replace the filter (pre-filter is generally 1-6 months to replace, high efficiency filter replacement is usually 6-12 months).

Filter Replacement Note:

- ★ filter handling, unpacking and installation process, make sure the filter paper intact, is prohibited touch paper
- ★ Please install a new filter before facing bright place, check the filter paper is damaged, such as filter paper loopholes it can not be used.
- ★ When installing a new filter, pay attention to the filter head airflow imminent signs shall be consistent with the air flow direction.
- ★ After installing the set pressure of the bolts tightened to ensure there is enough filter seal.

Warranty Information

First, the date of purchase of the equipment warranty period, the use of this device under normal conditions of the warranty period and that barriers can be based on the content of the terms of the warranty, to produce the original warranty card to enjoy free services and users to keep proof of purchase and this warranty certificate, when maintenance show together.

Second, following the warranty period will be implemented paid maintenance services:

- ★ can not produce a valid warranty card or original valid certificate
- ★ buy the product expiry date, name of unit sales (stamp valid) and other items are not completely filled out or altered warranty card
- ★ For each failed to follow the precautions on use Instructions failure caused by
- ★ without the authorization of the manufacturers of the equipment disassembly, repair, alteration caused by fault
- ★ replace the damaged parts owned by the Company

Three, Each item on the warranty certificate shall be filled out clearly direct user safety, in order to obtain 24-month warranty period

Fourth, we should keep, not make up lost

公司同类产品推荐：半自动风淋室 Similar products recommended: Semiautomatic Airshower



型号	风淋室		
电压	380V		
外尺寸	W	D	H
	1200	1000	2050
内尺寸	800	860	1910
材质	冷板	不锈钢	可选

- Model: Airshower
- Voltage: 380V
- External dimensions: 1200x1000x2050
- Inner dimension: 800x860x1910
- Material: Cold plate stainless steel Optiona



型号	货淋室		
电压	380V		
外尺寸	W	D	H
	2000	2000	2050
内尺寸	1500	1860	1980
材质	冷板	不锈钢	可选

- Model: Leaching cargo room
- Voltage: 380V
- External dimensions: 2000x2000x2050
- Inner dimension: 1500x1860x1980
- Material: Cold plate stainless steel Optiona

同类产品推荐：全自动风淋室 Other Recommendations: Automatic Airshower



型号	自动快速升降风淋室		
电压	380V		
外尺寸	W	D	H
	2000	2000	2180
内尺寸	1500	1860	1980
材质	冷板	不锈钢	可选

Model: Automatic quick lift Airshower
Voltage: 380V
External dimensions: 2000x2000x2180
Inner dimension: 1500x1860x1980
Material: Cold plate stainless steel Optiona



型号	自动平移门风淋室		
电压	380V		
外尺寸	W	D	H
	1600	1000	2050
内尺寸	800	860	1910
材质	冷板	不锈钢	可选

Model: Automatic sliding door air shower
Voltage: 380V
External dimensions: 1600x1000x2050
Inner dimension: 800x860x1910
Material: Cold plate stainless steel Optiona

其它产品推荐：送风口 Other Recommendations: outlet



型号	FFU		
功率	220V		
箱体尺寸	W	D	H
	1175	575	320
过滤器尺寸	1170	570	69
净化效果	99.99%		
材质	冷板	不锈钢	可选

Model: PPO air supply unit
Voltage: 220V
External dimensions: 1175x575x320
Inner dimension: 1170x570x69
Purification: 99.99%
Material: Cold plate stainless steel Optiona



型号	高效送风口				
风量	500	1000	1500	2000	可选
净等级	H10	H13	H14	V15	可选
材质	冷板	不锈钢	可选		

Model: HEPA
Wind: 500 1000 1500 2000 Optiona
Net Ratings: H10 H13 H14 V15 Optiona
Material: Cold plate stainless steel Optiona

其它产品推荐：传递窗 Other Recommendations: transfer window



型号	传递窗
功能	互锁功能 杀菌消毒
材质	冷板 不锈钢 可选

Model: Transfer window
 Features: Interlock Virus disinfection
 Material: Cold plate stainless steel Optiona



型号	风淋传递室
功能	互锁功能 杀菌消毒 净化灰尘99.99%
材质	冷板 不锈钢 可选

Model: Wind leaching room transfer
 Features: Full lock function Virus disinfection
 Purifying dust 99.99%
 Material: Cold plate stainless steel Optiona

更多产品推荐：空气过滤器 Other Recommendations: Air filters



型号	初效过滤器
级别	初效
等级可选	G1、G2、G3、G4
材质	优质过滤棉

Model: Primary Filter
 Rating: early effect
 Optional Level: G1, G2, G3, G4
 Material: high quality cotton filters



型号	中级过滤器
级别	中效
等级可选	F5、F6、F7、F8、F9
材质	优质无纺布

Model: Intermediate filter
 Rating: in effect
 Optional Level: F5, F6, F7, F8, F9
 Material: high quality non-woven

更多产品推荐：空气过滤器 Other Recommendations: Air filters



型号	V型高效过滤器
级别	亚高效
等级可选	H10、F9、F8、F7
材质	超细复合PP料

Model: V-type high efficiency filter
 Rating: sub-efficient
 Optional Level: H10, F9, F8, F7
 Material: PP ultrafine composite material



型号	V型高效过滤器
级别	高效
等级可选	U15、H14、H13、H10
材质	超细玻璃纤维料

Model: V-type high efficiency filter
 Level: High
 Optional Level: U15, H14, H13, H10
 Material: fine glass fiber material

更多产品推荐：空气过滤器 Other Recommendations: Air filters



型号	高效有隔板过滤器
级别	高效
等级可选	H14、H13、H10
材质	超细玻璃纤维料

Model: clappboard efficient filter
 Level: High
 Optional Level: H14, H13, H10
 Material: fine glass fiber material



型号	无隔板高效过滤器
级别	高效
等级可选	U15、H14、H13
材质	超细玻璃纤维料

Model: No HEPA filter
 Level: High
 Optional Level: U15, H14, H13
 Material: fine glass fiber material



型号	GMP液槽高效过滤器
级别	高效
等级可选	U15、H14、H13
材质	超细玻璃纤维料

Model: GMP efficiency filter tank
 Level: High
 Optional Level: U15, H14, H13
 Material: fine glass fiber material

更多产品推荐：空气过滤器 Other Recommendations: Air filters



- 型号 一体化高效过滤器
- 级别 高效
- 等级可选 U15、H14、H13、H10
- 材质 超细玻璃纤维料
- 法兰接口 直径250 直径300 (可选)

Model: Integrated high efficiency filter
 Level: High
 Optional Level: U15, H14, H13, H10
 Material: fine glass fiber material
 Flange connection: diameter 250
 diameter 300 (optional)



- 型号 耐高温高效过滤器
- 级别 高效耐高温
- 等级可选 H14、H13、H10
- 材质 超细耐高温玻璃纤维料
- 耐温 250° C (恒温) 300° C (最高温度)

Model: high temperature high efficiency filter
 Level: high temperature
 Optional Level: H14, H13, H10
 Material: ultra-fine glass fiber material temperature
 Temperature: 250 ° C (thermostat) 300 ° C (maximum temperature)

